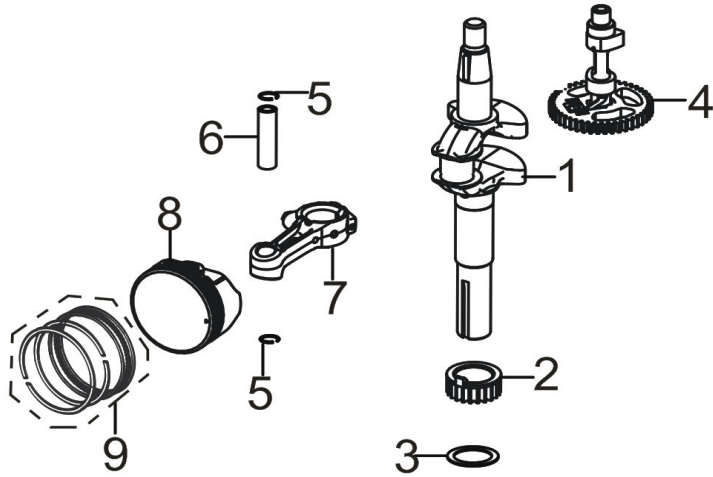
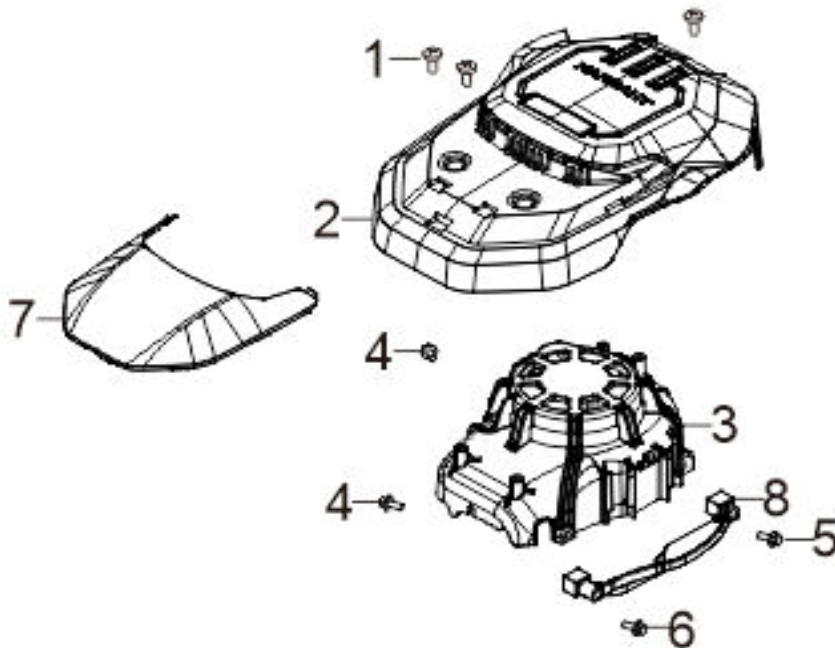


FIG.4 ROD,CRANKSHAFT CONNETING (E04)



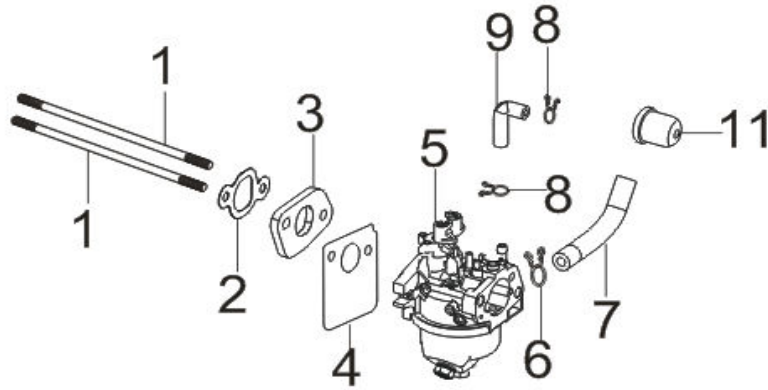
REF.NO. 序号	PART NO 物料代码	DESCRIPTION 英文名	Q'TY 数量	包装数	备注
E04-1	13300-Z2P0910-00A0	Crankshaft Assy.	1	1	
E04-2	14014-Z2P0211-00A0	Gear, Timing Drive	1	1	
E04-3	90408-Z030310-00A0	Flat Washer	1	1	
E04-4	14200-Z2P0113-00A0	Camshaft Assy.	1	1	
E04-5	13122-Z240110-00A0	Clip, Piston Pin	2	1	
E04-6	13121-Z240110-00A0	Pin, Piston	1	1	
E04-7	13010-Z2P0112-00A0	Rod, Connecting	1	1	
E04-8	13111-Z2P0111-00A0	Piston	1	1	
E04-9	13200-Z180120-00A0	Ring Assy, Piston	1	1	

FIG.5 STARTER,RECOIL E05)



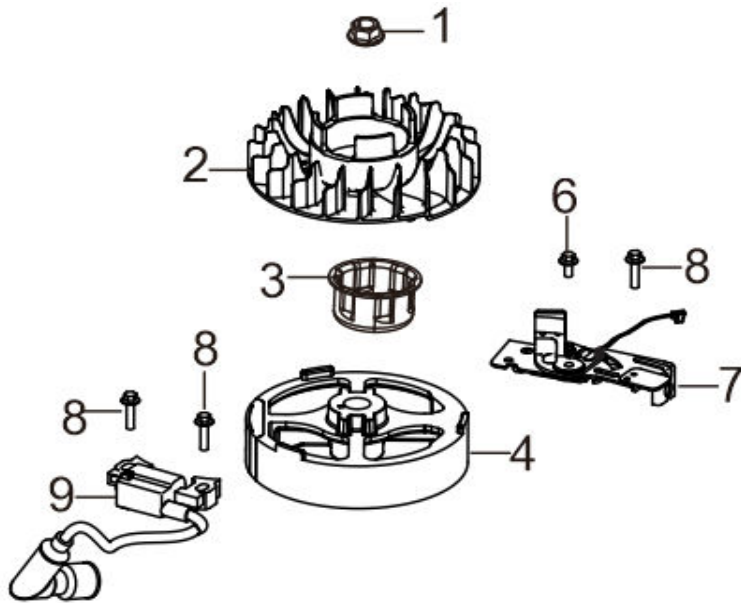
REF.NO. 序号	PART NO 物料代码	DESCRIPTION 英文名	Q'TY 数量	包装数	备注
E05-1	90124-Z2P0210-01A0	Self-Tapping Screw	3	1	
E05-2	80082-Z2P0410-Q2A0	Engine Housing Body	1	1	
E05-3	28200-Z2P1210-Q2A0	Starter Assy, Recoil	1	1	
E05-4	90007-0520-A1A0	Hexagon Socket Flange Fa	2	1	
E05-5	90007-0535-A1A0	Hexagon Socket Flange Fa	1	1	
E05-6	90007-0525-A1A0	Hexagon Socket Flange Fa	1	1	
E05-7	80075-Z2P0810-WM00	Coping, Engine Couter Cov	1	1	
E05-8	19309-Z2P0110-00A0	Body Right Shield	1	1	

FIG.6 CARBURETOR ASSY E06)



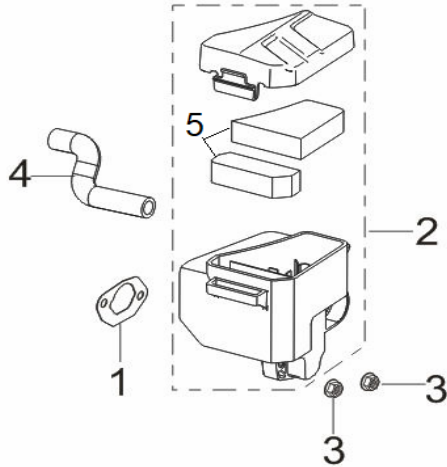
REF.NO. 序号	PART NO 物料代码	DESCRIPTION 英文名	Q'TY 数量	包装数	备注
E06-1	90204-Z010210-01A0	Stud Bolt	2	1	
E06-2	17002-Z2P0110-00A0	Gasket, Inlet	1	1	
E06-3	16003-Z2P0110-00A0	Plate, Carburetor Insulator	1	1	
E06-4	16004-Z2P0110-00A0	Gasket, Insulator Plate	1	1	
E06-5	16100-Z2P0410-00M0	Carburetor Assy.	1	1	
E06-6	90685-1000-01A0	Pipe Clamp	1	1	
E06-7	90686-Z2P0810-00M0	Tube, Fuel	1	1	
E06-8	90685-0700-01A0	Pipe Clamp	2	1	
E06-9	16211-Z2P0310-00A0	Tube, Starting Riched Valve	1	1	
E06-11	16210-Z2P0110-00A0	Valve, Starting Riched	1	1	

FIG.7 FLYWHEEL / IMPELLER / STARTER PULLEY / IGNITION COIL (E07)



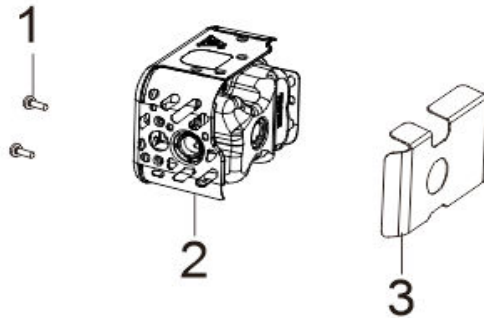
REF.NO. 序号	PART NO 物料代码	DESCRIPTION 英文名	Q'TY 数量	包装数	备注
E10-1	13501-Z010110-00A0	Nut, Flywheel	1	1	
E10-2	19352-Z2P0610-00A0	Impeller	1	1	
E10-3	28002-Z2P0310-01A0	Pulley, Starter	1	1	
E10-4	13510-Z2P0611-00A0	Flywheel Subassembly	1	1	
E10-5	30029-Z2P0110-00A0	Lug, Shroud	1	1	
E10-6	90007-0514-A1A0	Bolt	1	1	
E10-7	45200-Z2P0413-00A1	Brake Assy.	1	1	
E10-8	90007-0525-A1A0	Bolt	2	1	
E10-9	30400-Z2P0110-00A0	Coil, Ignition	1	1	
E10-10	90007-0520-A1A0	Bolt	1	1	

FIG.8 CLEANER, AIR (F01)



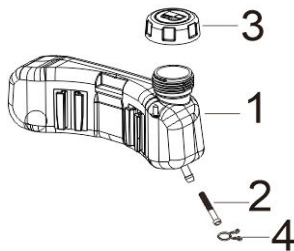
REF.NO. 序号	PART NO 物料代码	DESCRIPTION 英文名	Q'TY 数量	包装数	备注
F01-1	17001-Z2P0110-00A0	Air Cleaner Seal Gasket	1	1	
F01-2	17100-Z2P0810-00A0	Air Cleaner	1	1	
F01-3	90305-0600-31A0	Hexagon Nut With Flange	2	1	
F01-4	17004-Z2P0610-00A0	Tube, Breather	1	1	
F01-5	FA8-E-250018	Air filter 17100-Z2P0810-00A0	1	1	

FIG.13 MUFFLER ASSY. 消声器部件 (F02)



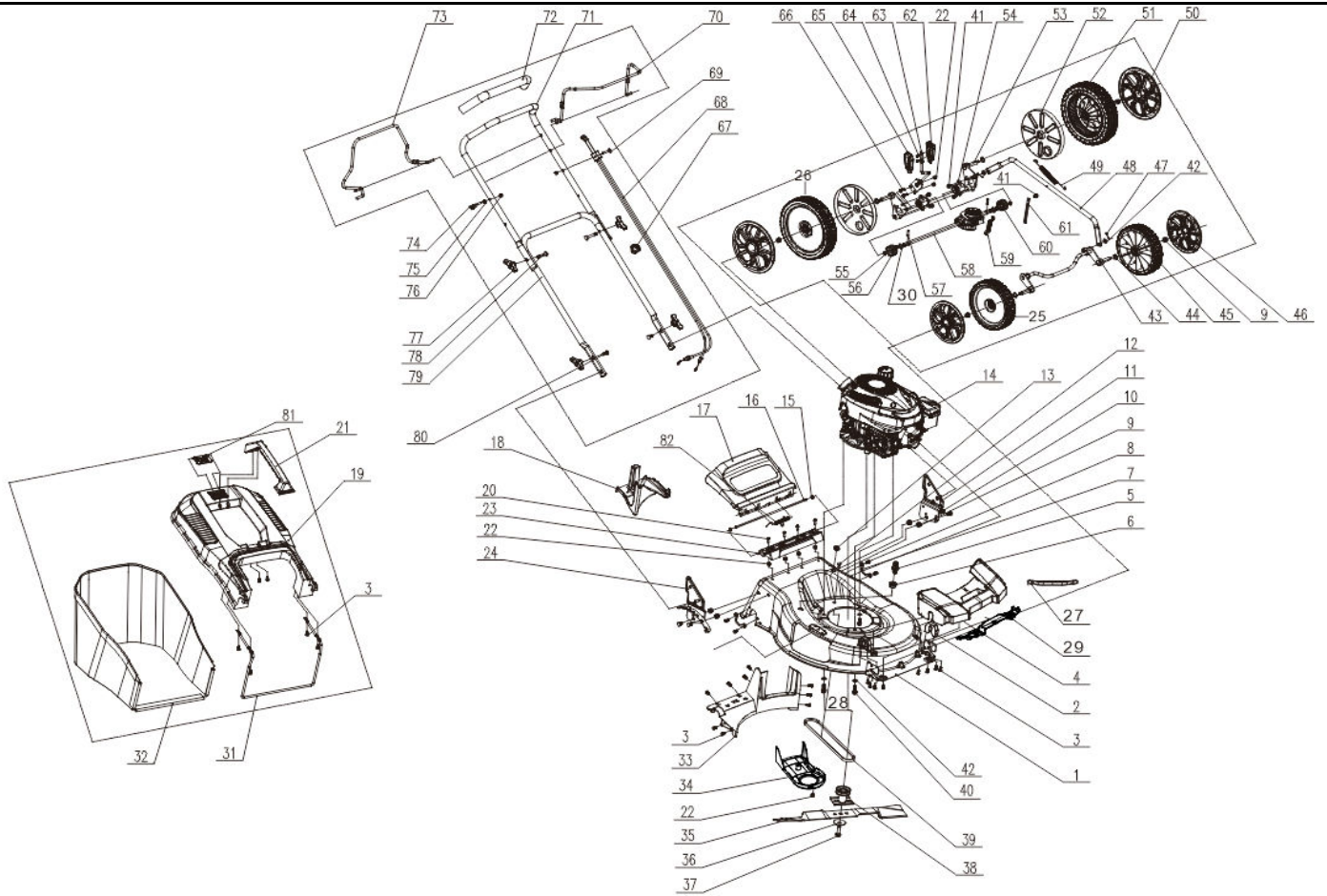
REF.NO. 序号	PART NO 物料代码	DESCRIPTION 英文名	Q'TY 数量	包装数	备注
F02-1	90001-0616-01A0	Hexagon Socket Flange Fa	2	1	
F02-2	18100-Z2P1711-00A0	Muffler Assy.	1	1	
F02-3	18020-Z2P0112-00A0	Plate, Muffler Insulator	1	1	

FIG.14 TANK ASSY, FUEL 油箱部件 (F03)



REF.NO. 序号	PART NO 物料代码	DESCRIPTION 英文名	Q'TY 数量	包装数	备注
F03-1	16600-Z2P0210-Q2A0	Tank Assy, Fuel	1	1	
F03-2	16652-Z030110-00A0	Strainer, Fuel	1	1	
F03-3	16730-Z250210-00A0	Cover, Fuel Tank	1	1	
F03-4	90685-1000-01A0	Pipe Clamp	1	1	

FIG.15 (F04)



REF.NO. 序号	PART NO 物料代码	DESCRIPTION 英文名	Q'TY 数量	包装数	备注
F04-1	75001-G070310-WK00	Deck	1	1	
F04-2	44033-G030110-Q2A0	Front Axle Plank	2	1	
F04-3	90120-5016-03	Hybrid Cross Recessed Pa	23	1	
F04-4	79243-G420110-WM00	Hood	1	1	
F04-5	79277-G080110-Q2A0	Washing Nozzle	1	1	
F04-6	13501-Z010110-00A0	Nut, Flywheel	1	1	
F04-7	42005-G030110-00A0	Rear Axle Plank	2	1	
F04-8	90027-0612-56	Hexagon Head Self-Extrusi	4	1	
F04-9	90308-0800-31A0	Type 2 Non-Metallic Insert	8	1	
F04-10	90028-0816-01	Grade B Small Half Round	4	1	
F04-11	79236HG080110-H7A0	Left Handle Support	1	1	
F04-12	90028-0616-01	Grade B Small Half Round	1	1	
F04-13	90737-G030110-Q2A0	Cable Sheath	1	1	
F04-14	RV145MS00G8U-FIA01	Engine	1	1	
F04-15	90575-0500-0601	Split Washer	2	1	
F04-16	79259-G030110-00A0	Rear Deflector Plank	1	1	
F04-17	79257-G030110-WM00	Rear Deflector	1	1	
F04-18	79211-G070110-00A0	Rear Mulching Plug	1	1	
F04-19	79252-G030110-WM00	Straw Box Upper Cover	1	1	
F04-20	90103-0612-5101	Cross-Recessed Pan Head	4	1	
F04-21	79253-G030110-Q2A0	Straw Box Handle	1	1	
F04-22	90308-0600-31	Type 2 Non-Metallic Insert	7	1	
F04-23	79244-G030110-Q2A0	Fender Black	1	1	
F04-24	79237HG110210-H7A0	Right Handle Support	1	1	
F04-25	40206-G420510-Q2A0	Push Wheel	1	1	
F04-26	40205-G420310-Q2A0	Wheel, Transportation	1	1	
F04-27	80153-G420110-Q2A0	Handle	1	1	
F04-28	90039-0825-0101	Bolt	2	1	
F04-29	79287-G420110-Q2A0	Comb Grass Plate	1	1	
F04-30	90412-YBW0210-01A0	Flat Washer	2	1	

REF.NO. 序号	PART NO 物料代码	DESCRIPTION 英文名	Q'TY 数量	包装数	备注
F04-31	79255-G030110-H6A0	Straw Box Support	1	1	
F04-32	79256-G030110-00B4	Straw Box Lower Bag	1	1	
F04-33	79239-G030110-Q2A0	Rear Air Path	1	1	
F04-34	79265-G070110-00A0	Belt Cover	1	1	
F04-35	73101-G070110-00A0	Blade	1	1	
F04-36	90419-G030110-0000	Disc Washer	1	1	
F04-37	90007-Z2P0310-00A0	Hexagon Socket Flange Fa	1	1	
F04-38	73002-G080110-00A0	Blade Adapter	1	1	
F04-39	90566-1070-0001	V Adapter	1	1	
F04-40	90039-0825-0101	Bolt	1	1	
F04-41	90001-0610-01A0	Hexagon Socket Flange Fa	5	1	
F04-42	90408-0800-E108	Flat Washer - Grade A	2	1	
F04-43	44020HG110110-0000	Shaft, Front Wheel	1	1	
F04-44	90405-G130110-0000	Wave Elastic Washer	4	1	
F04-45	40206-G420610-Q2A0	Push Wheel	1	1	
F04-46	40207-G420310-WM00	Wheel Cover	2	1	
F04-47	90501-0220-0108	Cotter Pin	2	1	
F04-48	79262-G110110-H7A0	Cutting Height Lever	1	1	
F04-49	79263-G030111-00A0	Cutting Height Spring	1	1	
F04-50	40207-G420210-WM00	Wheel Cover	2	1	
F04-51	40205-G420410-Q2A0	Wheel, Transportation	1	1	
F04-52	40204-G060110-00A0	Dust Wheel Cover	2	1	
F04-53	42002HG110110-0000	Shaft, Rear Wheel	1	1	
F04-54	51179-G060110-00A0	Shaft Sleeve	2	1	
F04-55	90573-1200-06	Circlip For Shaft - Type A	4	1	
F04-56	40202-G030210-00A0	Gear Pinion	1	1	
F04-57	40203-G030110-00A0	Gear Pinion Pin	2	1	
F04-58	24300-G110110-00A0	Retarder Part	1	1	
F04-59	79266-G030110-00A0	Extension Spring	1	1	
F04-60	40202-G030110-00A0	Gear Pinion	1	1	
F04-61	90684-Z030120-00A0	Wire Clip	1	1	
F04-62	79261-G030210-Q2A0	Cutting Height Lever Sleeve	1	1	
F04-63	79275HG020110-00A0	Cutting Height Lever	1	1	
F04-64	90107-4295-01A0	Cross-Recessed Pan Head	2	1	
F04-65	79261-G030110-Q2A0	Cutting Height Lever Sleeve	1	1	
F04-66	90005-0616-01A0	Hexagonal Head Bolt - Full	2	1	
F04-67	90684-U070111-0000	Wire Clip	1	1	
F04-68	79230-G080110-00A0	Brake Cable	1	1	
F04-69	90211-G080110-00A0	Cross Recessed Shaped B	1	1	
F04-70	79224-G420110-H7A0	Brake Lever	1	1	
F04-71	79223-G080110-H7A0	Upper Handle	1	1	
F04-72	54101-G030110-Q2B0	Sleeve, Handle Rubber	1	1	
F04-73	79225-G420110-H7A0	Drive Lever	1	1	
F04-74	79278-G080110-00A0	Bent Rope Bolt	1	1	
F04-75	90305-0600-3108	Hexagon Nut With Flange	1	1	
F04-76	90314-0600-31	Acorn Hexagon Nuts	2	1	
F04-77	79226-G080110-Q2A0	Fast Screw	4	1	
F04-78	90031-G080110-0000	Special-Shaped Bolts	2	1	
F04-79	79231-G130110-H7A0	Inferior Handle	1	1	
F04-80	90029-G080210-00A0	Half Round Head Square N	2	1	
F04-81	79254-G030110-Q2A0	Straw Box Indicating Door	1	1	
F04-82	79258-G030110-00A0	Rear Deflector Spring	1	1	